

2011

**ANBRS**  
GENUINE PARTS

ANBRS INTL CORP



# OIL PUMP

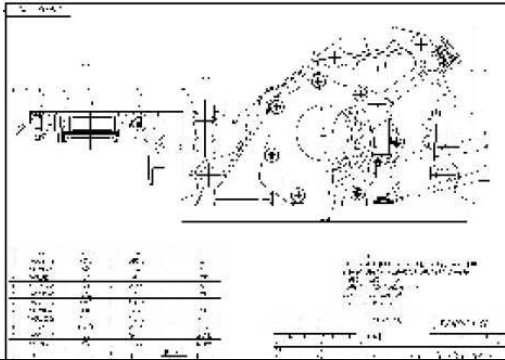



[WWW.ANBRS.COM](http://WWW.ANBRS.COM)



ANBRS INTERNATIONAL CORP.



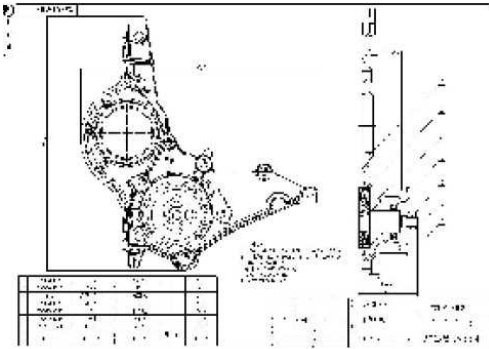

Anbrs Number / Illustration / Packing		OEM NO.:	REF NO.:	SPECIFICATION
<b>10040001</b> <b>OIL PUMP</b> 		OEM NO.: 1001.84		Application: PEUGEOT,BOXER
1PCS / 10BOX /1 CTN	50*30*20cm(0.03) G/W: 22KG			
<b>10040002</b> <b>OIL PUMP</b> 		OEM NO.: 15100-35010,TO 15100-35010 Meiling No.: M-145,YSK- TA1037 DNJ NO.: OP948		Application: TOYOTA,20R; CELICA,CORONA,L4 SOHC 2.2L,2.4L (1975-1984),TOYOTA 20R
1PCS / 10BOX /1 CTN	50*30*20cm(0.03) G/W: 22KG			
<b>10040003</b> <b>OIL PUMP</b> 		OEM NO.: ME-017484 YXOP2159		Application: 659,MIT/CANTER 4D34T,MITSUBISHI
1PCS / 10BOX /1 CTN	50*30*20cm(0.03) G/W: 22KG			
<b>10040004</b> <b>OIL PUMP</b> 		OEM NO.: 15010-Z5512 YSK#: YSK- NS1166		Application: NISSAN TD25,FD6T/FE6T
1PCS / 10BOX /1 CTN	50*30*20cm(0.03) G/W: 22KG			

Anbrs Number / Illustration / Packing		OEM NO.:	REF NO.:	SPECIFICATION
<b>10040005</b> <b>OIL PUMP</b> 		OEM NO.: 15100-25020 YSK#: YSK-TA1035		Application: TOYOTA,COROLLA ,1T,2T,3TC,1971-1982,1600CC,TOYOTA 2T
1PCS / 10BOX /1 CTN	50*30*20cm(0.03) G/W: 22KG			
<b>10040006</b> <b>OIL PUMP</b> 		OEM NO.: 15100-71010		Application: TOYOTA,TOYOTA 4Y
1PCS / 10BOX /1 CTN	50*30*20cm(0.03) G/W: 22KG			
<b>10040007</b> <b>OIL PUMP</b> 		OEM NO.: 15100-15020 YSK#: YSK-TA1052  COROLLA 2AL, 4AL 1,2,3,4A 1983-1987 1500CC ,AE80,4AF COROLLA 2AL,4AL		Application: TOYOTA,TERCEL 3AC, 4AF
1PCS / 10BOX /1 CTN	50*30*20cm(0.03) G/W: 22KG			
<b>10040008</b> <b>OIL PUMP</b> 		OEM NO.: 96350159,96351059 YSK#: YSK-OP1249,M-275 ENG#.: YXOP2071		Application: DAEWOO CIELO; OPEL LANOS A16D DOHC/NUBIRA 1999-2002 1600CC,CIELO SOHC  ,DAEWOO CIELO; OPEL LANOS A16D DOHC
1PCS / 10BOX /1 CTN	50*30*20cm(0.03) G/W: 22KG			

Anbrs Number / Illustration / Packing		OEM NO.:	REF NO.:	SPECIFICATION
<b>10040009</b> <b>OIL PUMP</b> 		OEM NO.: F212-14- 100,F212-14- 100C,F212- 14- 100D,F212- 14-100E YSK#: YSK- MA1032 ENG#.: F2		Application: MAZDA,626,MX6,B22 00 ,FE,F2 PICKUP ,FORD IMPORTS F2 ,PROBE TURBO,1987- 1992,2000CC,B2200
1PCS / 10BOX /1 CTN	50*30*20cm(0.03) G/W: 22KG			
<b>10040010</b> <b>OIL PUMP</b> 		OEM NO.: 15010-H9701 Application: NISSAN ,A12,12A,13, 14,15 ,B110,B220,1 970- 1982,1300CC ,1500CC, A12,12A,13,1 4,15 , B110,B220, 1970-1982, 1300CC , 1500CC,		NISSAN,NISSAN A12
1PCS / 10BOX /1 CTN	50*30*20cm(0.03) G/W: 22KG			
<b>10040011</b> <b>OIL PUMP</b> 		OEM NO.: 15100-REA- Z01		Application: FIT
1PCS / 10BOX /1 CTN	50*30*20cm(0.03) G/W: 22KG			
<b>10040012</b> <b>OIL PUMP</b> 		OEM NO.: 15100-11050 YSK#: YSK- TA1168 ENG#.: 2E		Application: TOYOTA 2E-LU 1988- 95,1295cc,TOYOTA 2EL 1988-95  1988-1995  1295cc  assy: TOYOTA 2E-L  YSK- TA1168,TOYOTA 2EL 1988- 95,TOYOTA,TOYOTA 1988-1995
1PCS / 10BOX /1 CTN	50*30*20cm(0.03) G/W: 22KG			

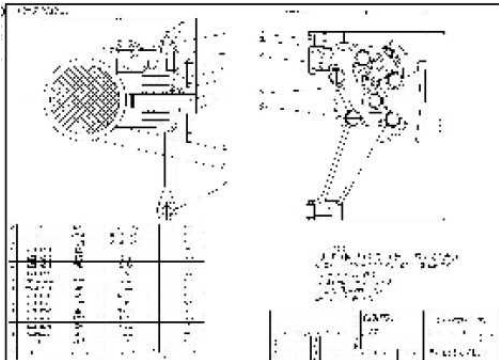

Anbrs Number / Illustration / Packing		OEM NO.:	REF NO.:	SPECIFICATION
<b>10040013</b> <b>OIL PUMP</b> 		OEM NO: 7083261 , 93377141		Application: FIAT Palio, Stylo, Strada
1PCS / 10BOX /1 Pallet	50*30*20cm(0.03) G/W: 22KG			
<b>10040014</b> <b>OIL PUMP</b> 		OEM NO.: 027 115 105- C,027 115 105-A		Application: VOLKSWAGEN
1PCS / 10BOX /1 CTN	50*30*20cm(0.03) G/W: 22KG			
<b>10040015</b> <b>OIL PUMP</b> 		OEM NO.: 06A 115 105,06A 115 105-B		Application: GOLF IV/BORA 1.9TDI/VW,VW,GOLF
1PCS / 10BOX /1 CTN	50*30*20cm(0.03) G/W: 22KG			
<b>10040016</b> <b>OIL PUMP</b> 		OEM NO.: MD-327450 YSK#: YSK- MB1085 ENG#: 4G63		Application: MITSUBISHI; EAGLE SUMMIT 4G63, 1993- 95 2000CC; PLYMOUTH COLT, 1993-94, 2400CC,1993-95 2000CC,MITSUBISHI
1PCS / 10BOX /1 CTN	50*30*20cm(0.03) G/W: 22KG			


Anbrs Number / Illustration / Packing		OEM NO.:	REF NO.:	SPECIFICATION
<b>10040017</b> <b>OIL PUMP</b> 		OEM No.: 15100-KGA-900		Application: TITAN 2000 ES/KS
1PCS / 10BOX /1 CTN	50*30*20cm(0.03) G/W: 22KG			
<b>10040018</b> <b>OIL PUMP</b> 		OEM No.: 15100-KYO-890		Application: CG/ML/TUR/TODAY/ TITAN 92-99
1PCS / 10BOX /1 CTN	50*30*20cm(0.03) G/W: 22KG			
<b>10040019</b> <b>OIL PUMP</b> 		OEM NO.: 90412744/905 41500/905709 19/646041,90 412744,90541 505 YSK#: YSK- DM1221; YSK- OP1180,YSK- DM1221 YXOP2105		Application: DAEWOO RACER; CORSA/KADETT 1993- 1389CC; VECTRA 14NV-16NV 1988-1998 1598CC; ASTRA/BELMONT 1992-; CAVALIER/NOVA 14NV/16SV,DAEWO O RACER,DAEWOO,G 15MF            1988- 1993  ,DAEWOO RACER;
1PCS / 10BOX /1 CTN	50*30*20cm(0.03) G/W: 22KG			
<b>10040020</b> <b>OIL PUMP</b> 		OEM NO.: 77 01 588 187 YXOP2082		Application: RENAULT R9, R11 - MOTOR 1400 CC,,MOTORES 4CC TWINGO 1.2/CLIO 1.1/1.2/91 82
1PCS / 10BOX /1 CTN	50*30*20cm(0.03) G/W: 22KG			

Anbrs Number / Illustration / Packing		OEM NO.:	REF NO.:	SPECIFICATION
<b>10040021</b> <b>OIL PUMP</b> 		OEM NO.: 16100-73003,16100-73001 YSK#: YSK-SU1001 YXOP2044		Application: SUZUKI,ST-100,T2,T5,SJ410,SL410,PRONTO ST308 ,ST-90,NEW CARRY,1983,800CC ,1000CC,SUZUKI F8A-F10A,SUPER CARRY,SUZUKI F8A-F10A,PRONTO ST308 NEW CARRY
1PCS / 10BOX /1 CTN	50*30*20cm(0.03) G/W: 22KG			
<b>10040022</b> <b>OIL PUMP</b> 		OEM NO.: 8-97069-738-1		Application: ISUZU
1PCS / 10BOX /1 Pallet	50*30*20cm(0.03) G/W: 22KG			
<b>10040023</b> <b>OIL PUMP</b> 		OEM NO.: 15100-11070 YSK#: YSK-TA1058		Application: TOYOTA,PASEO 5EFE 1992-95 1497CC,TOYOTA 5EF,TOY,PASEO 5EFE
1PCS / 10BOX /1 CTN	50*30*20cm(0.03) G/W: 22KG			
<b>10040024</b> <b>OIL PUMP</b> 		OEM NO.: 15110-87703		Application: DAIHATSU,DAIHATSU TOWNER,Towner ,DAIHATSU TOWNER
1PCS / 10BOX /1 CTN	50*30*20cm(0.03) G/W: 22KG			


Anbrs Number / Illustration / Packing		OEM NO.:	REF NO.:	SPECIFICATION
<b>10040025</b>	<b>OIL PUMP</b> 	OEM NO.: 15010-01M00,15010-01M01 YSK#: YSK-NS1034 YXOP2021		Application: NISSAN,E13,15S,E16,EA16I,1982-1988,1500CC,1600CC,NISSAN E13/ E15/ E16,81-1,3 SUNNY,SUNNY
1PCS / 10BOX /1 CTN	50*30*20cm(0.03) G/W: 22KG			
<b>10040026</b>	<b>OIL PUMP</b> 	OEM NO.: 15010-V0300 Meiling No.: M-152,YSK-NS1082,OPD28P,KA24E KA24DE ROCK NO.: OP607		Application: NISSAN L4 DOHC,SOHC 12V,16V,1989-2004,TOPLIN:OPD28P,16V (1989-2004),YSK#:YSK-NS1082,OPD28P,NISSAN L4 TOPLIN:OPD28P
1PCS / 10BOX /1 CTN	50*30*20cm(0.03) G/W: 22KG			
<b>10040027</b>	<b>OIL PUMP</b> 	OEM NO.: 21340-42800,MD-181583 YSK#: YSK-MB1172 YXOP2142		Application: MIT.4D56; HYUNDAI D4BB,D4BF; ROTOR L:13mm,D4BF;
1PCS / 10BOX /1 CTN	50*30*20cm(0.03) G/W: 22KG			
<b>10040028</b>	<b>OIL PUMP</b> 	OEM NO.: 1001.37		Application: Citroen - Peugeot 504 - 505 - 604 - Ford Sierra - Talbot,PGT J9 12V
1PCS / 10BOX /1 CTN	50*30*20cm(0.03) G/W: 22KG			

Anbrs Number / Illustration / Packing		OEM NO.:	REF NO.:	SPECIFICATION
<b>10040029</b> <b>OIL PUMP</b> 		OEM NO.: 15010- 21001,15010- T51G1,15010- B3000 YSK#: YSK- NS1018 Rock #: OP402,OP60 2,YXOP2025		Application: L16,18,20B224,24E,Z 20,20E,20S,Z22,22E, Z24,24L,L26,26E,28E T,(1.374" STD RESSURE) ,1969- 1989,2000CC,Z40 L18,NSN Z40,NISSAN Z24,NISSAN,L- 16,NSN,WITHOUT GASKET
1PCS / 10BOX /1 CTN	50*30*20cm(0.03) G/W: 22KG			
<b>10040030</b> <b>OIL PUMP</b> 		OEM NO.: 15100-11110		Application: TOYOTA,5E- FE/TERCEL 1.5CC,TOYOTA 5EFE,5E-FE/TERCEL
1PCS / 10BOX /1 CTN	50*30*20cm(0.03) G/W: 22KG			
<b>10040031</b> <b>OIL PUMP</b> 		OEM NO.: 21310-21030		Application: HYUNDAI; PLYMOUTH COLT, 1979-90, 1500CC; DODGE COLT,1979- 90-1400CC
1PCS / 10BOX /1 CTN	50*30*20cm(0.03) G/W: 22KG			
<b>10040032</b> <b>OIL PUMP</b> 		OEM NO.: MD-060517 YSK #: YSK- MB1005 ENG.#: G54B OHC		Application: MITSUBISHI; PICK UP,G54B,1979-82; 4G51,54,1978- 89,2000cc;G54B- OHC MONTERO,2600cc,1 979-82
1PCS / 10BOX /1 CTN	50*30*20cm(0.03) G/W: 22KG			

Anbrs Number / Illustration / Packing		OEM NO.:	REF NO.:	SPECIFICATION
<b>10040033</b> <b>OIL PUMP</b> 		OEM NO.: 94580158,161 00-A70B23- 000,FOR 94580158/945 81766,963252 46		ENG#.: YXOP2141  Application: DAEWOO, FOR DAEWOO TICO, TICO MATIZI M100, M150
1PCS / 10BOX / 1 CTN	50*30*20cm(0.03) G/W: 22KG			
<b>10040034</b> <b>OIL PUMP</b> 		OEM NO.: E301-14- 010,E580-14- 010A,E301- 14-010/E580- 14- 010A,E580- 14-100,E301- 14-100,E301- 14- 100A,E301- 15-010B YSK#: YSK- MA1023 YXOP2020		Application: 323L E3 ,323SL E5,1988- 1989,1300CC ,1500CC,MAZDA E3 E5,MAZDA,80-; FORD LASER 1.3/1.5 1986-89
1PCS / 10BOX / 1 CTN	50*30*20cm(0.03) G/W: 22KG			
<b>10040035</b> <b>OIL PUMP</b> 		OEM NO.: MD- 025550,MT MD-025550 YSK#: YSK- MB1066		Application: MITSUBISHI,4G52,4G 54,1985- 93,MITSUBISHI 4G52
1PCS / 10BOX / 1 CTN	50*30*20cm(0.03) G/W: 22KG			
<b>10040036</b> <b>OIL PUMP</b> 		OEM NO.: 90570925		Application: DAEWOO
1PCS / 10BOX / 1 CTN	50*30*20cm(0.03) G/W: 22KG			

Anbrs Number / Illustration / Packing		OEM NO.:	REF NO.:	SPECIFICATION
<b>10040037</b> <b>OIL PUMP</b> 		OEM NO.: 15110- 71010,TO 15100- 71010,15100- 71010 YSK#: YSK- TA1017 ENG#.: 2Y,3Y		Application: TOYOTA,L4 2300cc,1983- 1989,TOYOTA 2Y/3Y,TOY
1PCS / 10BOX /1 CTN	50*30*20cm(0.03) G/W: 22KG			
<b>10040038</b> <b>OIL PUMP</b> 		OEM NO.: 15100-64042 YSK#: YSK- TA1117		ENG#.: 2C  Application: TOYOTA 2C,1989-1991
1PCS / 10BOX /1 Pallet	50*30*20cm(0.03) G/W: 22KG			
<b>10040039</b> <b>OIL PUMP</b> 		OEM NO.: 15100-64041		Application: TOYOTA
1PCS / 10BOX /1 CTN	50*30*20cm(0.03) G/W: 22KG			
<b>10040040</b> <b>OIL PUMP</b> 		OEM NO.: 21310-22010 YXOP2101		Application: HYUNDAI
1PCS / 10BOX /1 Pallet	50*30*20cm(0.03) G/W: 22KG			

Anbrs Number / Illustration / Packing		OEM NO.:	REF NO.:	SPECIFICATION
<b>10040041</b> <b>OIL PUMP</b> 		OEM NO.: 15010-43G04,15010-43G05		YSK#: YSK-NS1041  YXOP2023  Application: NISSAN,TD25,TD27,T D23
1PCS / 10BOX /1 CTN	50*30*20cm(0.03) G/W: 22KG			
<b>10040042</b> <b>OIL PUMP</b> 		OEM NO.: 16100-82811 YSK#: YSK-SU1067 ENG#.: YXOP2098		Application: SUZUKI;SAMURAI G13BA 1990-95 1298CC,SUZUKI,SUZUKI G10,SUZUKI;SAMURAI G13BA
1PCS / 10BOX /1 CTN	50*30*20cm(0.03) G/W: 22KG			
<b>10040043</b> <b>OIL PUMP</b> 		OEM NO.: 15100-15060 YSK#: YSK-TA1056 ENG#.: 3AC,4AFE		Application: TOYOTA,TERCEL,Corolla 1.6,1992-1997,TOYOTA 4A/5A,TOYOTA 5A/4AFE
1PCS / 10BOX /1 Pallet	50*30*20cm(0.03) G/W: 22KG			
<b>10040044</b> <b>OIL PUMP</b> 		OEM NO.: 036 115 105-D,036 115 105-B		Application: GOLF IV 1.4 1.6 16V/POLO 1.4 1.4TDI 1.6
1PCS / 10BOX /1 CTN	50*30*20cm(0.03) G/W: 22KG			

Anbrs Number / Illustration / Packing		OEM NO.:	REF NO.:	SPECIFICATION
<b>10040045</b> <b>OIL PUMP</b>  		OEM NO.: 8-94366-241-0		Application: ISUZU 4DB1T
1PCS / 10BOX / 1 CTN	50*30*20cm(0.03) G/W: 22KG			

**WWW.ANBRS.COM**

**ANBRS INTL CORP**



**ANBRS INTL CORP**

E-mail: [info@anbrs.com](mailto:info@anbrs.com)

Msn: [anbrs.autoparts@hotmail.com](mailto:anbrs.autoparts@hotmail.com)

[WWW.ANBRS.COM](http://WWW.ANBRS.COM)